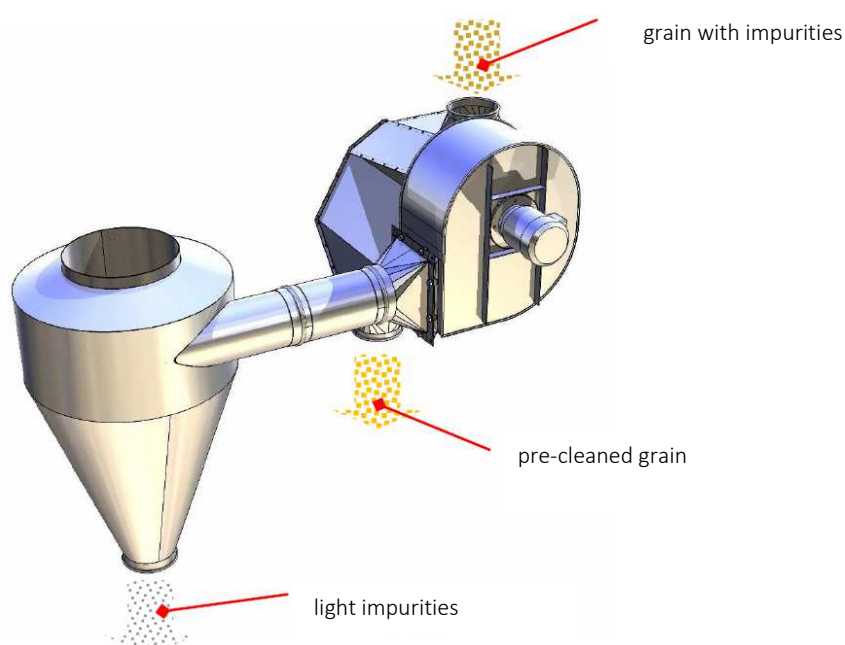


## WWA Dust & Chaff Extractor

The WWA dust & chaff extractor removes light impurities and dust particles from grain (cereals, rapeseed, maize, etc.).

- Compact, lightweight structure
- High-quality sheet metal made from Swedish steel
- Small size, quick installation



Model	unit	WWA 30	WWA 60
Capacity (wheat) <sup>1)</sup>	t/h	30	60
Electric power consumption	kW	0.75	3.0
<b>Configuration</b>			
Dust and chaff extractor frame – right		*	*
Fan		*	*
Control unit		*	*
Cyclone – right		*	*
Complete cyclone roof		*	*
Twist-on connector, ø200		*	*
Twist-on connector, ø280		*	*

<sup>1)</sup>Capacity level for wheat at 15% moisture content.